

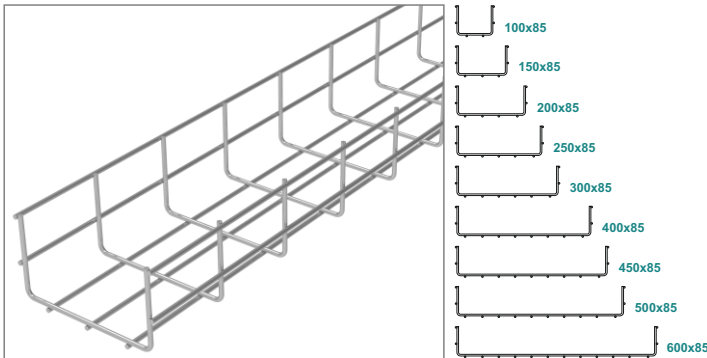
Wire Mesh Cable Trays - Side Height H85



MTK
MADE IN TURKEY

Wire Mesh Cable Trays

Tel Kablo Kanalı - Проволочные лотки



Electro Galvanised

TOK ...	H85	4.0mm		
CODE	Width W mm	Length L mm	Kg 1 m	pcs
TOK 810 40 EG	100	3000	0.89	2
TOK 815 40 EG	150	3000	1.04	2
TOK 820 40 EG	200	3000	1.19	2
TOK 825 40 EG	250	3000	1.34	2
TOK 830 40 EG	300	3000	1.49	2
TOK 840 40 EG	400	3000	1.79	2
TOK 845 40 EG	450	3000	1.94	2
TOK 850 40 EG	500	3000	2.09	2
TOK 860 40 EG	600	3000	2.40	2

TOK ...	H85	4.5mm		
CODE	Width W mm	Length L mm	Kg 1 m	pcs
TOK 810 45 EG	100	3000	1.12	2
TOK 815 45 EG	150	3000	1.32	2
TOK 820 45 EG	200	3000	1.51	2
TOK 825 45 EG	250	3000	1.70	2
TOK 830 45 EG	300	3000	1.89	2
TOK 840 45 EG	400	3000	2.27	2
TOK 845 45 EG	450	3000	2.47	2
TOK 850 45 EG	500	3000	2.66	2
TOK 860 45 EG	600	3000	3.04	2

TOK ...	H85	5.0mm		
CODE	Width W mm	Length L mm	Kg 1 m	pcs
TOK 810 50 EG	100	3000	1.39	2
TOK 815 50 EG	150	3000	1.62	2
TOK 820 50 EG	200	3000	1.86	2
TOK 825 50 EG	250	3000	2.10	2
TOK 830 50 EG	300	3000	2.33	2
TOK 840 50 EG	400	3000	2.81	2
TOK 845 50 EG	450	3000	3.04	2
TOK 850 50 EG	500	3000	3.28	2
TOK 860 50 EG	600	3000	3.75	2

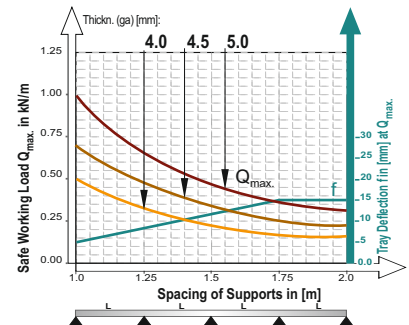
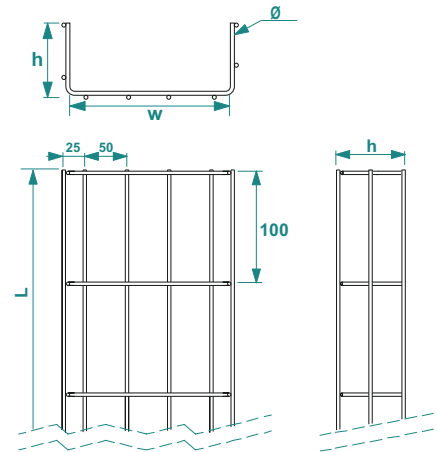
Hot Dip Galvanised

TOK ...	H85	4.0mm		
CODE	Width W mm	Length L mm	Kg 1 m	pcs
TOK 810 40 HDG	100	3000	0.89	2
TOK 815 40 HDG	150	3000	1.04	2
TOK 820 40 HDG	200	3000	1.19	2
TOK 825 40 HDG	250	3000	1.34	2
TOK 830 40 HDG	300	3000	1.49	2
TOK 840 40 HDG	400	3000	1.79	2
TOK 845 40 HDG	450	3000	1.94	2
TOK 850 40 HDG	500	3000	2.09	2
TOK 860 40 HDG	600	3000	2.40	2

TOK ...	H85	4.5mm		
CODE	Width W mm	Length L mm	Kg 1 m	pcs
TOK 810 45 HDG	100	3000	1.12	2
TOK 815 45 HDG	150	3000	1.32	2
TOK 820 45 HDG	200	3000	1.51	2
TOK 825 45 HDG	250	3000	1.70	2
TOK 830 45 HDG	300	3000	1.89	2
TOK 840 45 HDG	400	3000	2.27	2
TOK 845 45 HDG	450	3000	2.47	2
TOK 850 45 HDG	500	3000	2.66	2
TOK 860 45 HDG	600	3000	3.04	2

TOK ...	H85	5.0mm		
CODE	Width W mm	Length L mm	Kg 1 m	pcs
TOK 810 50 HDG	100	3000	1.39	2
TOK 815 50 HDG	150	3000	1.62	2
TOK 820 50 HDG	200	3000	1.86	2
TOK 825 50 HDG	250	3000	2.10	2
TOK 830 50 HDG	300	3000	2.33	2
TOK 840 50 HDG	400	3000	2.81	2
TOK 845 50 HDG	450	3000	3.04	2
TOK 850 50 HDG	500	3000	3.28	2
TOK 860 50 HDG	600	3000	3.75	2

TOK H85



This diagram comply with IEC 61537 with connection to 1/5 of the span and the end span = 0,8x the span

Q = max. admissible load (kg/m)
L = support distance (m)
f = Deflection (mm) / Max. deflection = L/100
Safety co-efficient = 1.5

Width	Usable Cross-Section
100	75 cm ²
150	112 cm ²
200	150 cm ²
300	225 cm ²
400	300 cm ²
500	375 cm ²
600	450 cm ²

APPLICATIONS

Cable routing

MATERIAL

EG: Electro - Galvanised (8-12 micron) EN ISO 2081
HDG-Steel, hot-dip galv. to TS-EN ISO 1461:2011 (HDG)

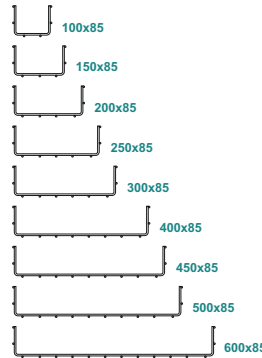
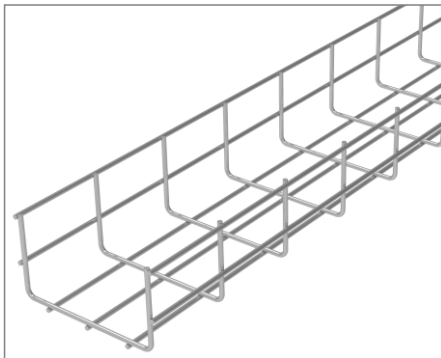
Available finishes:

SS - Stainless steel AISI 304L and aisi 316L (SS)
EP- powder coating in a full range of colours (RAL)

Thickn. (ga) [mm]: 4.0 4.5 5.0

Wire Mesh Cable Trays

Tel Kablo Kanalı - Проволочные лотки



Stainless Steel 304 - Passivated

TOK ...	H85	4.0mm		
CODE	Width W mm	Length L mm	KG 1 m	pcs
TOK 810 40 S4	100	3000	0.89	2
TOK 815 40 S4	150	3000	1.04	2
TOK 820 40 S4	200	3000	1.19	2
TOK 825 40 S4	250	3000	1.34	2
TOK 830 40 S4	300	3000	1.49	2
TOK 840 40 S4	400	3000	1.79	2
TOK 845 40 S4	450	3000	1.94	2
TOK 850 40 S4	500	3000	2.09	2
TOK 860 40 S4	600	3000	2.40	2
5.0mm				
CODE	Width W mm	Length L mm	KG 1 m	pcs
TOK 810 50 S4	100	3000	1.39	2
TOK 815 50 S4	150	3000	1.62	2
TOK 820 50 S4	200	3000	1.86	2
TOK 825 50 S4	250	3000	2.10	2
TOK 830 50 S4	300	3000	2.33	2
TOK 840 50 S4	400	3000	2.81	2
TOK 845 50 S4	450	3000	3.04	2
TOK 850 50 S4	500	3000	3.28	2
TOK 860 50 S4	600	3000	3.75	2

Stainless Steel 304 - Polished

TOK ...	H85	4.0mm		
CODE	Width W mm	Length L mm	KG 1 m	pcs
TOK 810 40 SP4	100	3000	0.89	2
TOK 815 40 SP4	150	3000	1.04	2
TOK 820 40 SP4	200	3000	1.19	2
TOK 825 40 SP4	250	3000	1.34	2
TOK 830 40 SP4	300	3000	1.49	2
TOK 840 40 SP4	400	3000	1.79	2
TOK 845 40 SP4	450	3000	1.94	2
TOK 850 40 SP4	500	3000	2.09	2
TOK 860 40 SP4	600	3000	2.40	2
5.0mm				
CODE	Width W mm	Length L mm	KG 1 m	pcs
TOK 810 50 SP4	100	3000	1.39	2
TOK 815 50 SP4	150	3000	1.62	2
TOK 820 50 SP4	200	3000	1.86	2
TOK 825 50 SP4	250	3000	2.10	2
TOK 830 50 SP4	300	3000	2.33	2
TOK 840 50 SP4	400	3000	2.81	2
TOK 845 50 SP4	450	3000	3.04	2
TOK 850 50 SP4	500	3000	3.28	2
TOK 860 50 SP4	600	3000	3.75	2

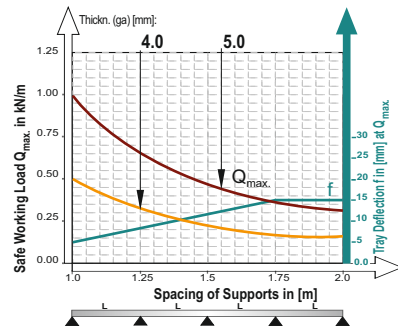
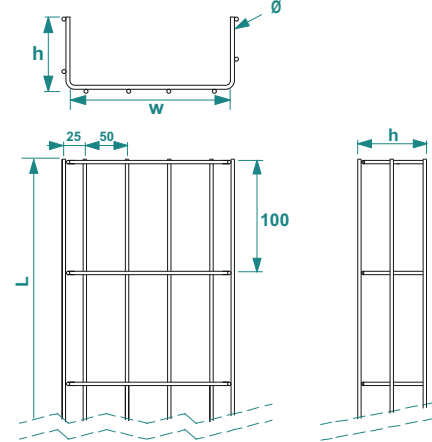
Stainless Steel 316 - Passivated

TOK ...	H85	4.0mm		
CODE	Width W mm	Length L mm	KG 1 m	pcs
TOK 810 40 S6	100	3000	0.89	2
TOK 815 40 S6	150	3000	1.04	2
TOK 820 40 S6	200	3000	1.19	2
TOK 825 40 S6	250	3000	1.34	2
TOK 830 40 S6	300	3000	1.49	2
TOK 840 40 S6	400	3000	1.79	2
TOK 845 40 S6	450	3000	1.94	2
TOK 850 40 S6	500	3000	2.09	2
TOK 860 40 S6	600	3000	2.40	2
5.0mm				
CODE	Width W mm	Length L mm	KG 1 m	pcs
TOK 810 50 S6	100	3000	1.39	2
TOK 815 50 S6	150	3000	1.62	2
TOK 820 50 S6	200	3000	1.86	2
TOK 825 50 S6	250	3000	2.10	2
TOK 830 50 S6	300	3000	2.33	2
TOK 840 50 S6	400	3000	2.81	2
TOK 845 50 S6	450	3000	3.04	2
TOK 850 50 S6	500	3000	3.28	2
TOK 860 50 S6	600	3000	3.75	2

Stainless Steel 316 - Polished

TOK ...	H85	4.0mm		
CODE	Width W mm	Length L mm	KG 1 m	pcs
TOK 810 40 SP6	100	3000	0.89	2
TOK 815 40 SP6	150	3000	1.04	2
TOK 820 40 SP6	200	3000	1.19	2
TOK 825 40 SP6	250	3000	1.34	2
TOK 830 40 SP6	300	3000	1.49	2
TOK 840 40 SP6	400	3000	1.79	2
TOK 845 40 SP6	450	3000	1.94	2
TOK 850 40 SP6	500	3000	2.09	2
TOK 860 40 SP6	600	3000	2.40	2
5.0mm				
CODE	Width W mm	Length L mm	KG 1 m	pcs
TOK 810 50 SP6	100	3000	1.39	2
TOK 815 50 SP6	150	3000	1.62	2
TOK 820 50 SP6	200	3000	1.86	2
TOK 825 50 SP6	250	3000	2.10	2
TOK 830 50 SP6	300	3000	2.33	2
TOK 840 50 SP6	400	3000	2.81	2
TOK 845 50 SP6	450	3000	3.04	2
TOK 850 50 SP6	500	3000	3.28	2
TOK 860 50 SP6	600	3000	3.75	2

TOK H85 (Stainless Steel)



This diagram comply with IEC 61537 with connection to 1/5 of the span and the end span = 0,8x the span

Q = max. admissible load (kg/m)
 L = support distance (m)
 f = Deflection (mm) / Max. deflection = L/100
 Safety co-efficient = 1.5

Width	Usable Cross-Section
100	75 cm ²
150	112 cm ²
200	150 cm ²
300	225 cm ²
400	300 cm ²
500	375 cm ²
600	450 cm ²

APPLICATIONS

Cable routing

MATERIAL

SS 304- Stainless Steel AISI 304L (S4)
 SS 316- Stainless steel AISI 316L (S6)

Available finishes:

EG: Electro-galvanized
 HDG-steel, hot-dip galv. to TS-EN ISO 1461:2011 (HDG)
 EP-Powder coating in a full range of colours (RAL)

Thickn. (ga) [mm]: 4.0 5.0